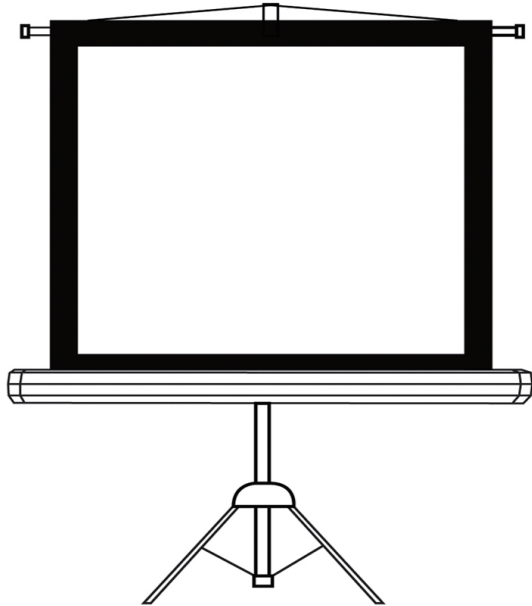


HTP_{pro}

Model: TSS-15211
Model: TSS-18011
Model: TSS-20311

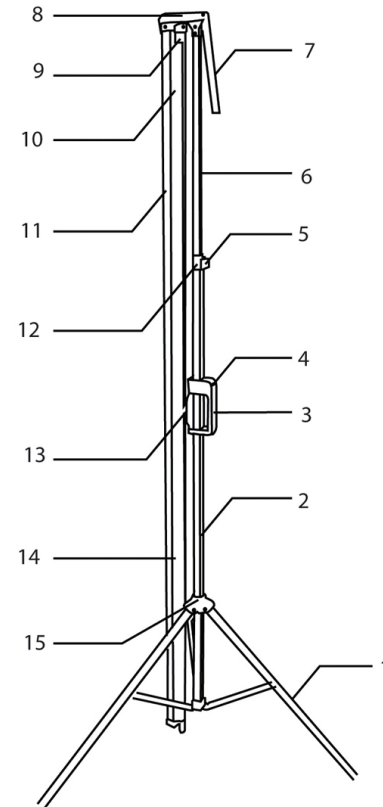
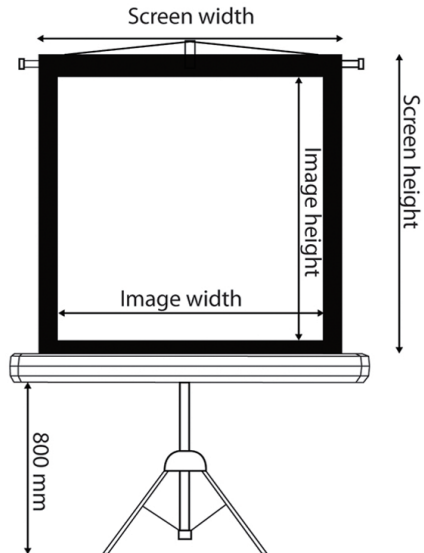
USER'S MANUAL FOR TRIPOD SCREEN



Installation and operation of screen

- Open the packing box and remove all packaging.
- Place screen vertically.
- Press Adjust Key (5) and lift the Drop Tube (6) until you hear a “click” sound (Drop Tube locked). The screen housing can rotate freely now.
- Rotate the Rotary Pole (7) to place on the Topside Tow Bar (8) horizontally.
- Rotate the screen housing to horizontal level (openings upward).
- Press the Tripod Fork (15) a little to ensure the tripod stand on the floor stably.
- Hold the housing and pull out the screen slowly, and hang the screen on the rotated Rotary Pole (7).

Cautions: The tripod and the screen house is heavy, handle with care is must.



Overview

1. Tripod
2. Adjust tube
3. Handle
4. Handle button
5. Adjust key

6. Drop tube
7. Rotary pole
8. Topside tow bar
9. Poling
10. Screen

11. Housing
12. Extremity piece of square tube
13. Rotary locking pieces
14. Hang strip
15. Tripod fork