

### Mounting instructions

- Never pull down the screen fabric before the screen has been properly mounted.
- Always level the screen case for optimum flatness of the screen fabric.

### Unfold the projector screen

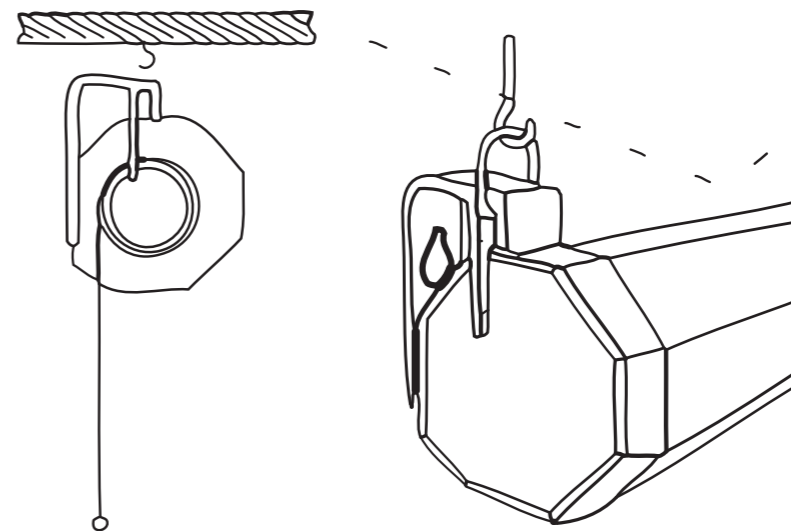
Pull the hand link downward, stop it in needed height, then use the device hook to stabilize the hand link.

### Fold the projector screen

Pull downward gently to loose the hand link, then fold the projector screen upward naturally.

Warning! Don't pull hard, when unfolding or folding the projector screen. Doing so can damage the screen mechanism.

### Ceiling installtion



### Wall installtion

