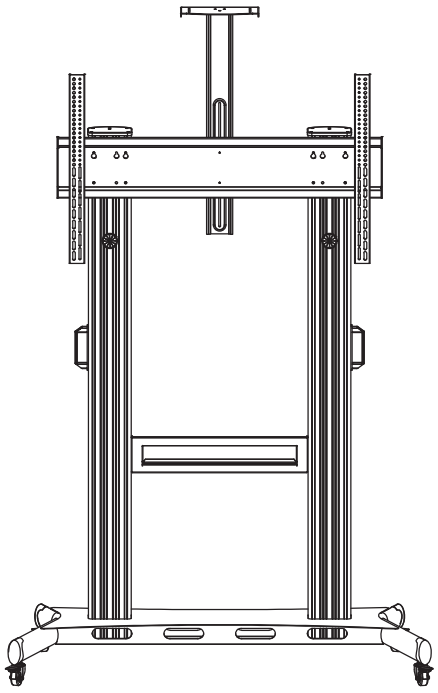


# CT-FTVS-T406 INSTALLATION INSTRUCTION



For smart TV panels:60"-100"  
 Maximum load capacity: 300lbs/136.4kg  
 AV shelf max load: 25lbs/11.4kg  
 Video tray max load: 10lbs/4.5kg  
 VESA: 200x200~1000x600mm

## Manual

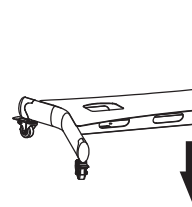
Tightening Direction	Loosening Direction	Phillips Screwdriver	Metre Rule
Adjustment	By Hand	Hex Wrench	

## Parts List

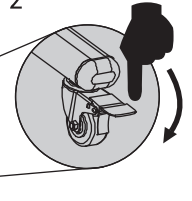
1X 	1X 	1X 	1X 	1X 	1X 	1X 	1X 	1X 	1X 	1X 	1X 	1X 
1X 			4X 									
A 4X M5x25mm	B 4X M6x25mm	C 4X M8x25mm	D 4X M10x15mm	E 4X φ16xφ6.2xT1.5mm	F 4X φ17x8.2xH12mm	G 8X M8x25mm	H 1X 1X M5 M6					

## 1. Columns to base installation

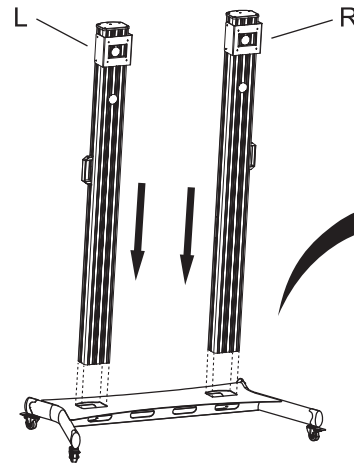
Step 1



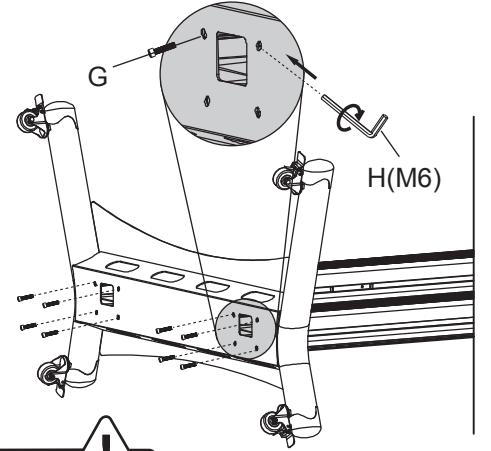
Step 2



Step 3

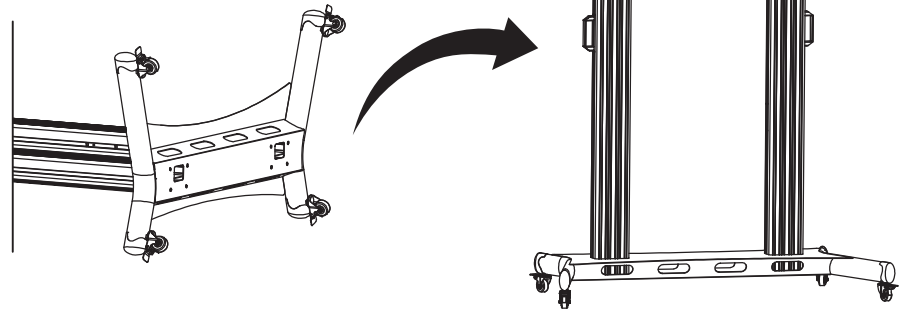


Step 4



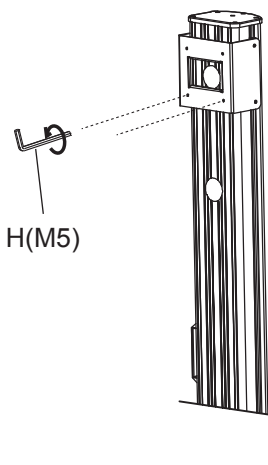
**Caution:** Ensure screws are secured firmly.

Step 5

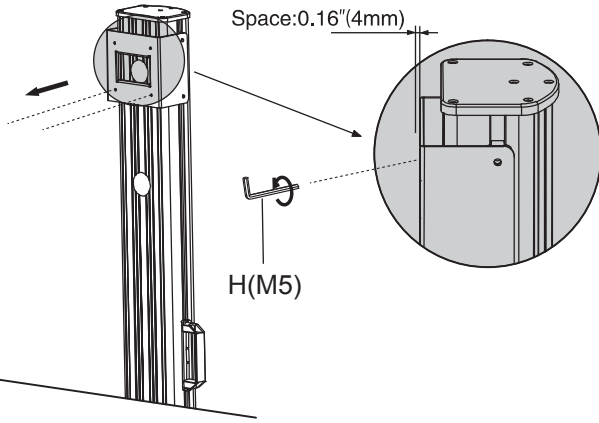


## 2. TV interface to columns installation

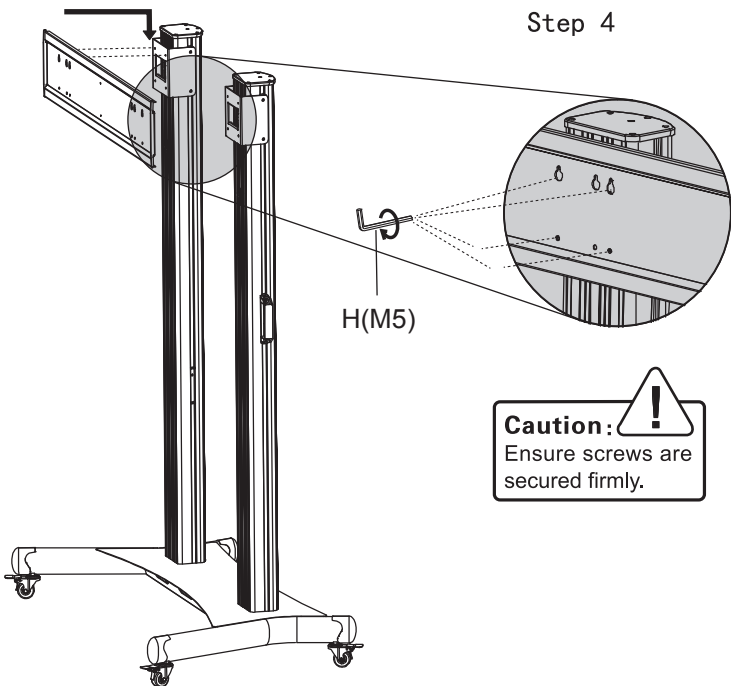
Step 1



Step 2



Step 3

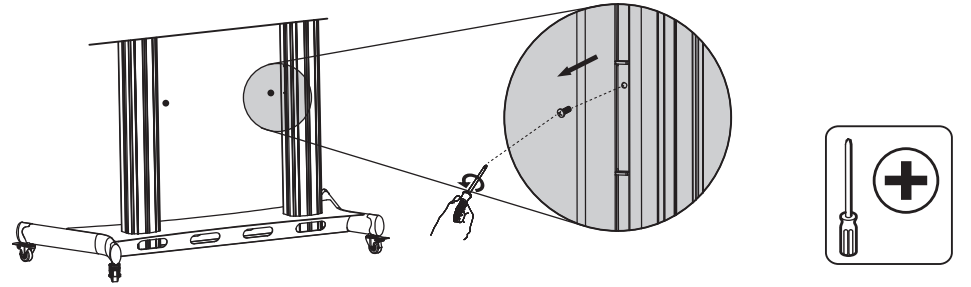


Step 4

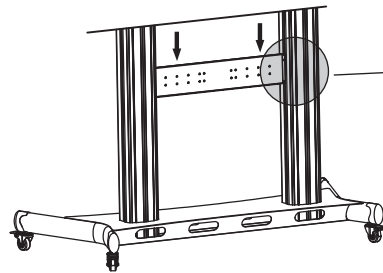
**Caution:** Ensure screws are secured firmly.

## 3. AV shelf assemble and installation

Step 1

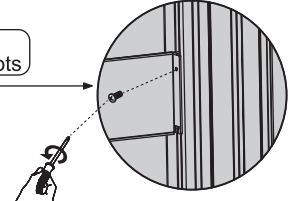


Step 2



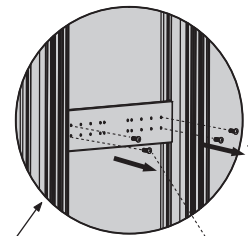
**Note:** Insert into slots

Step 3

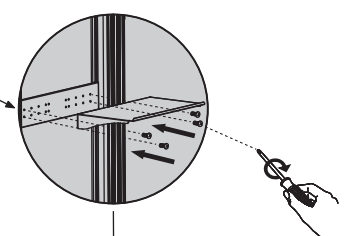


**Caution:** Ensure screws are secured firmly.

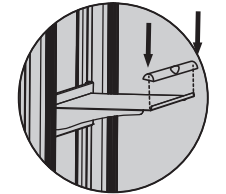
Step 4



Step 5

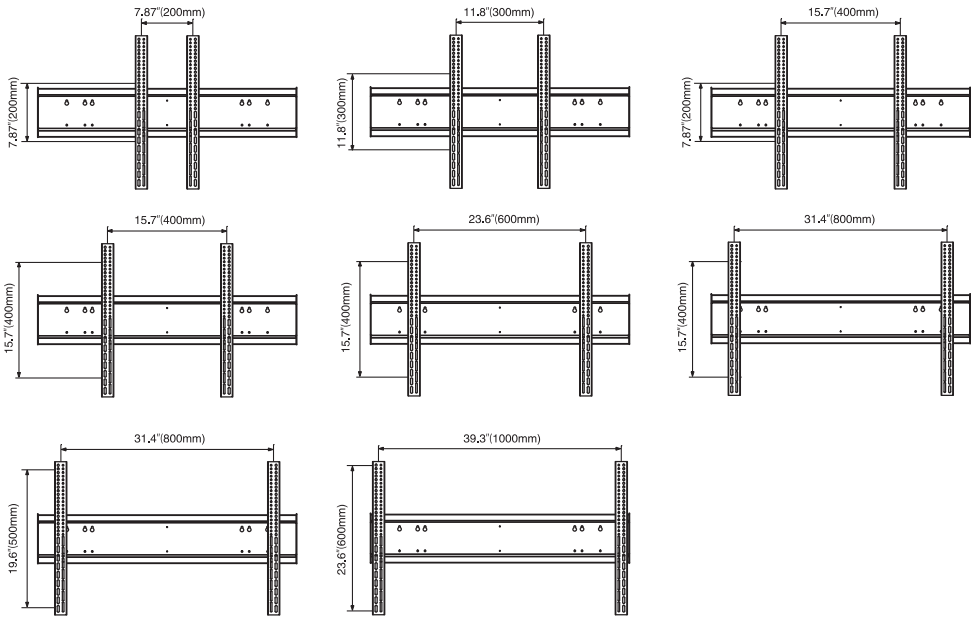


Step 6

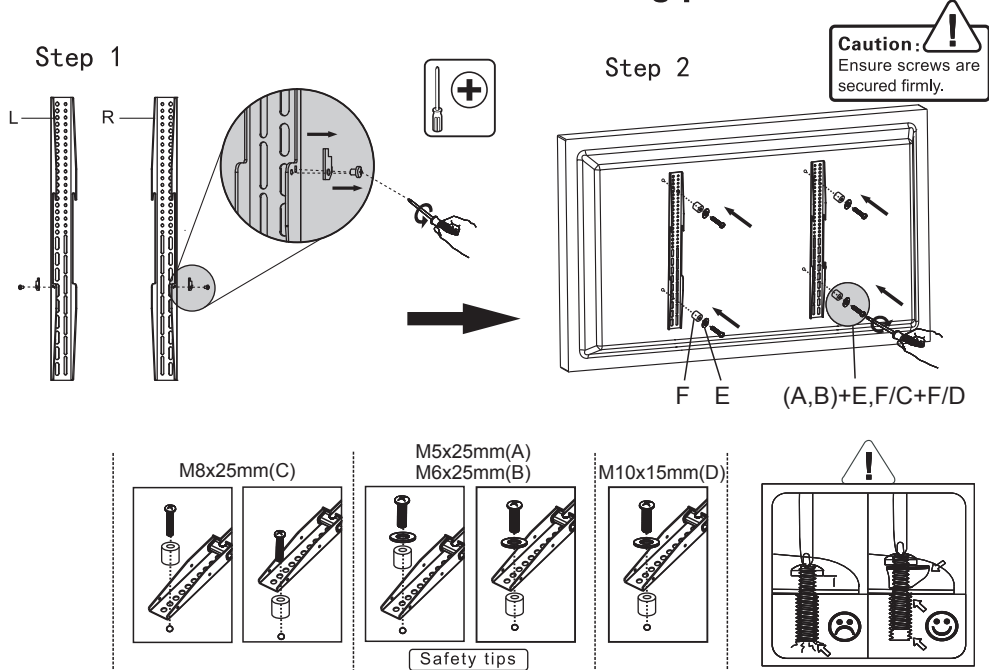


#### 4. Installation steps of TV hole

VESA:200x200~1000X600

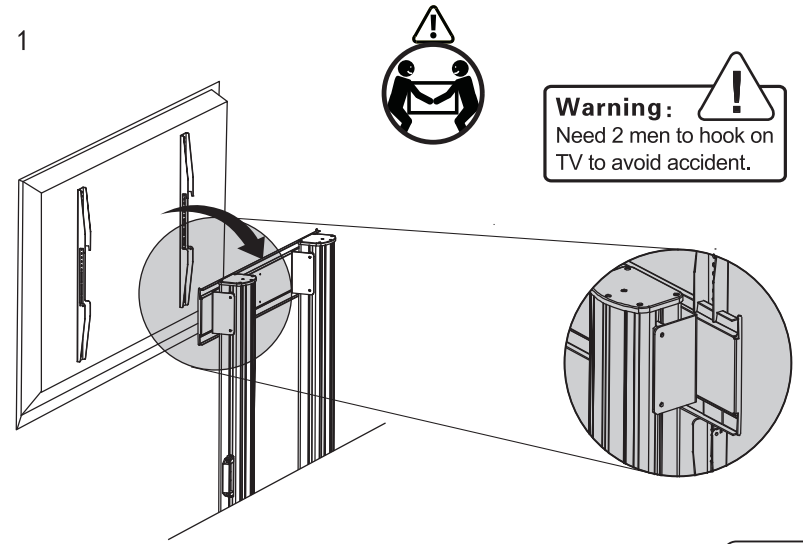


#### 5. Selection of TV mounting patterns



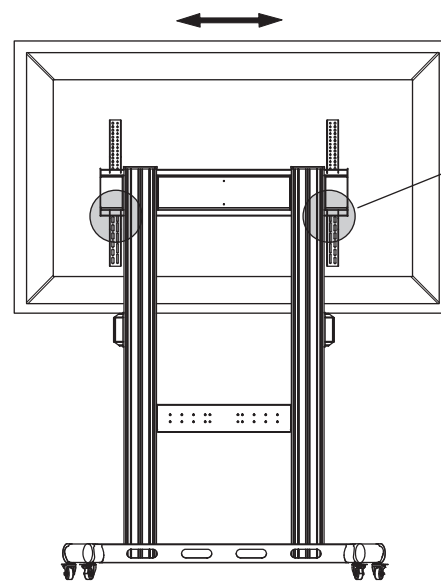
#### 6. TV assembly to cart installation

Step 1

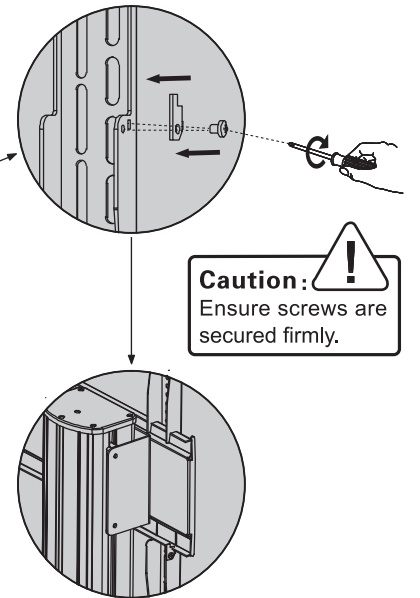


Step 2

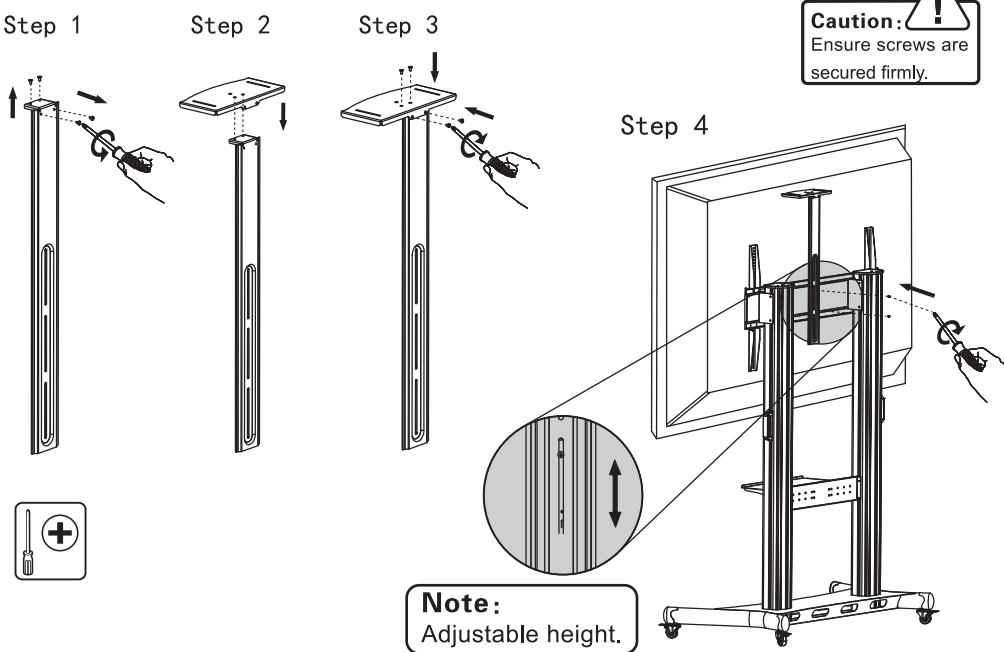
**Note:** Moves TV to center.



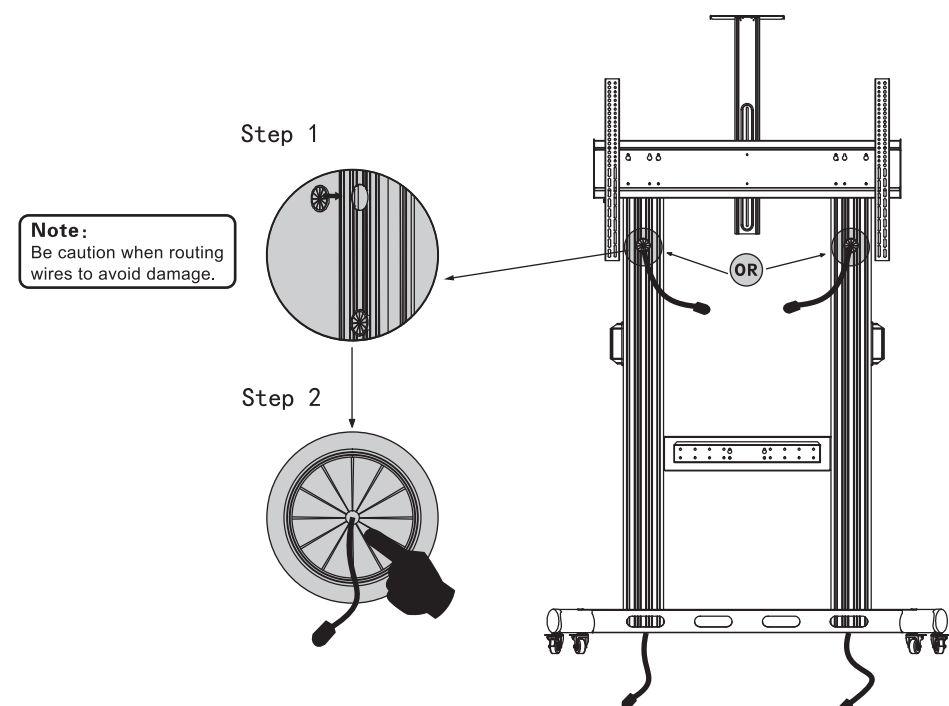
Step 3



#### 7. Video tray installation



#### 8. Cables and wires installation



#### 9. Product specifications

