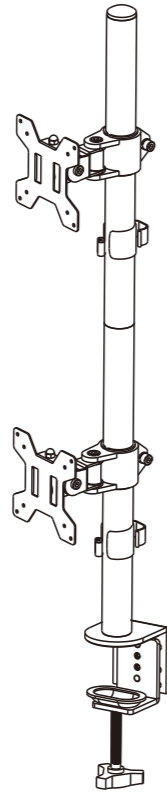


1

REV:00



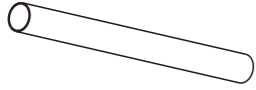
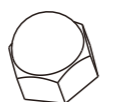





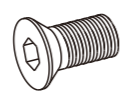

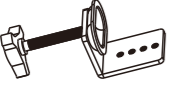
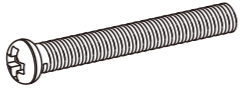


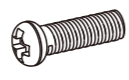

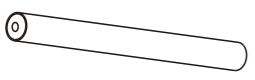
75x75  
100x100



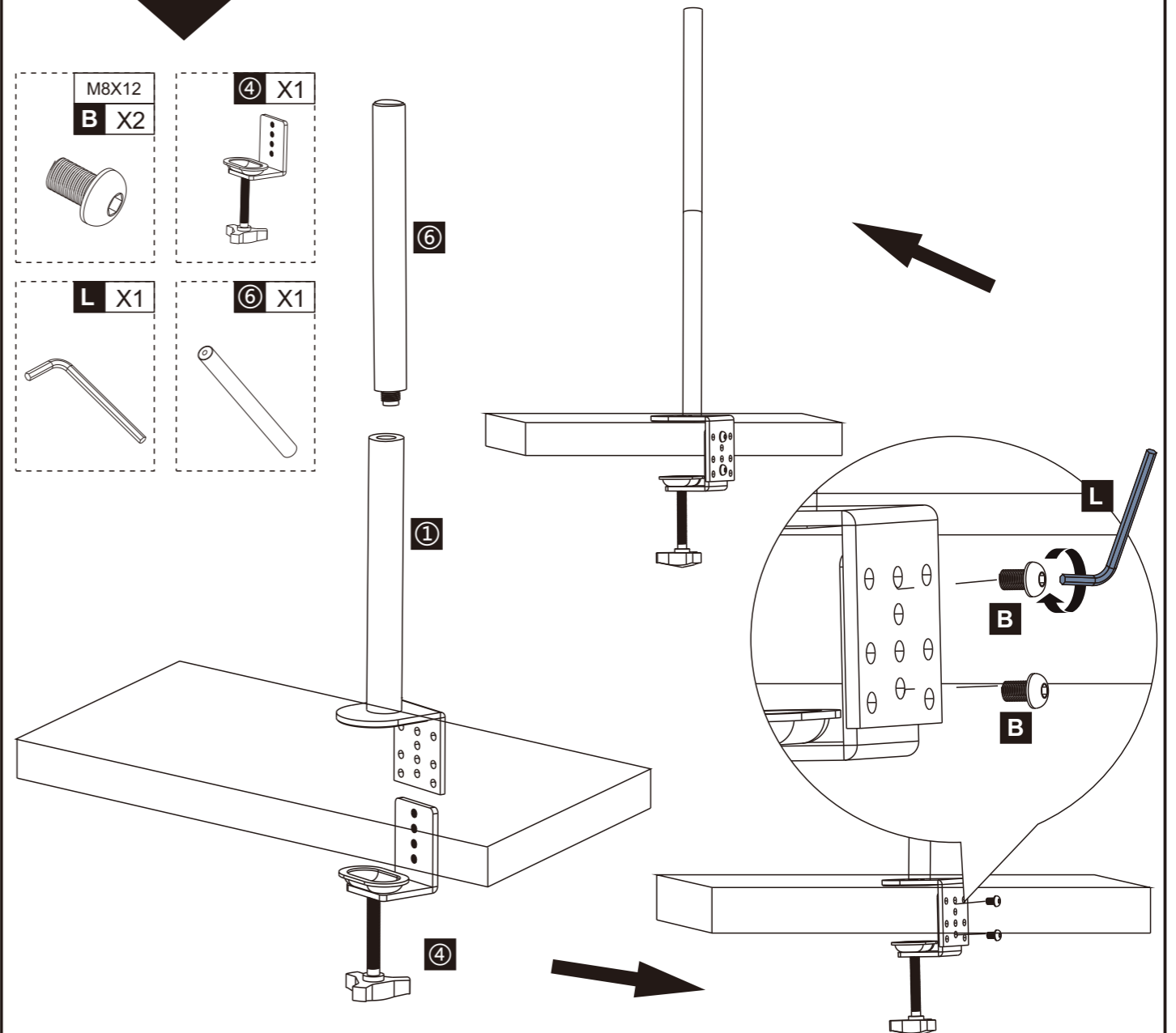
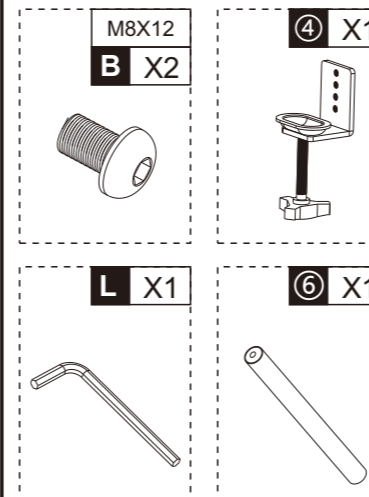
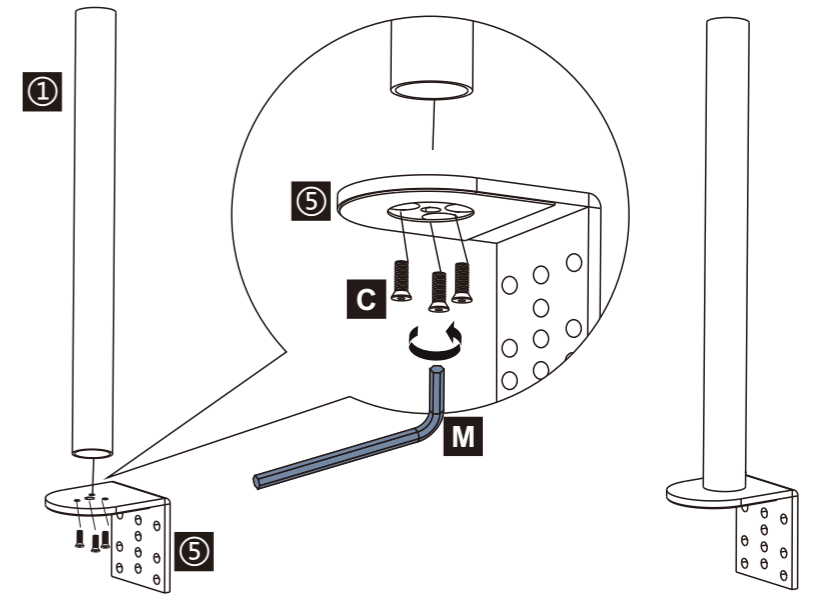
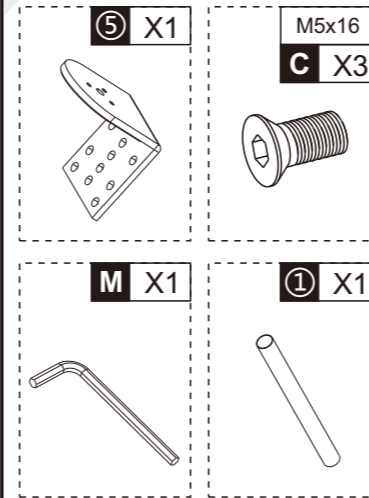
CAUTION: DO NOT EXCEED  
RATED LISTED WEIGHT. SERIOUS  
INJURY OR PROPERTY DAMAGE  
MAY OCCUR!

M063

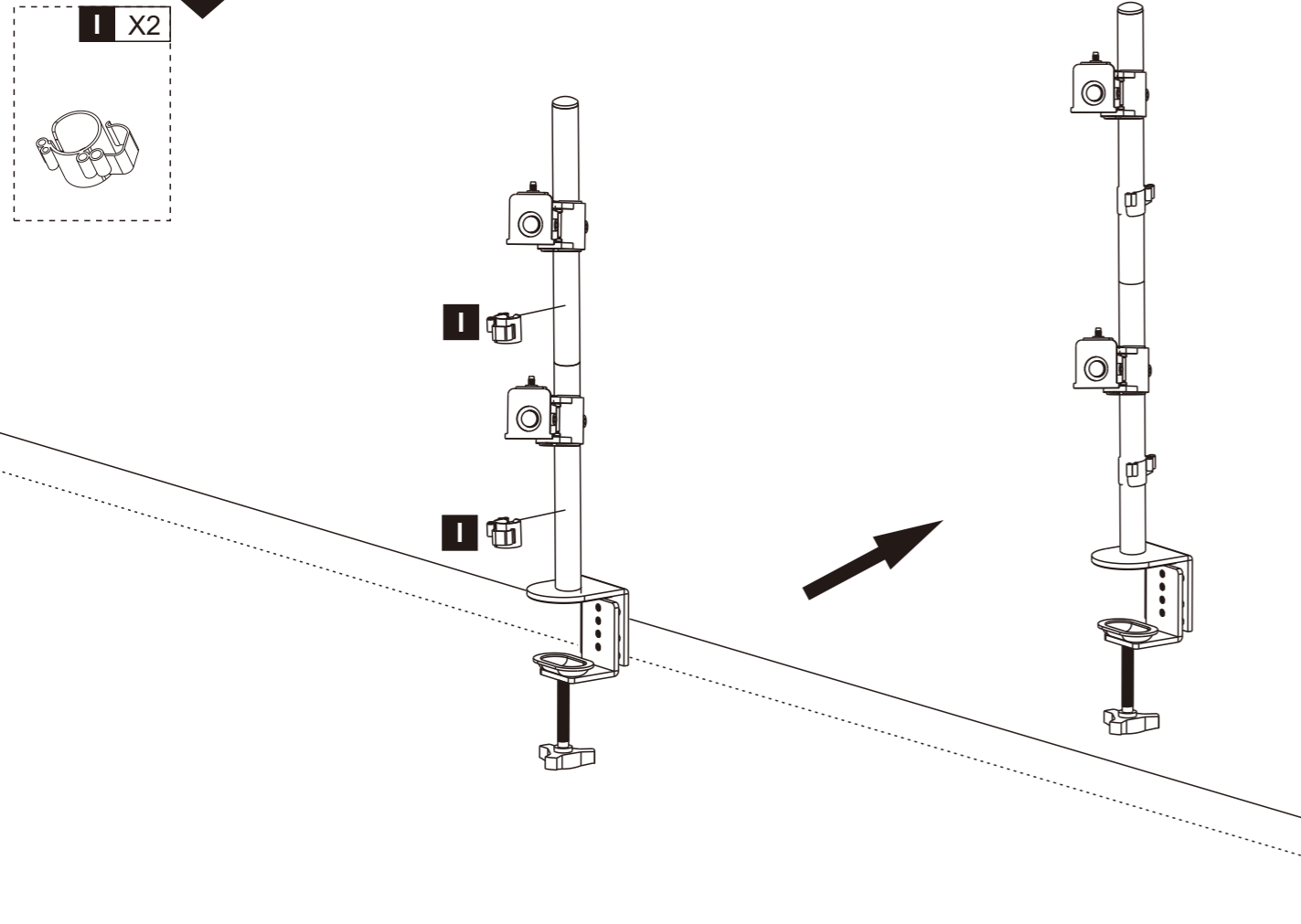
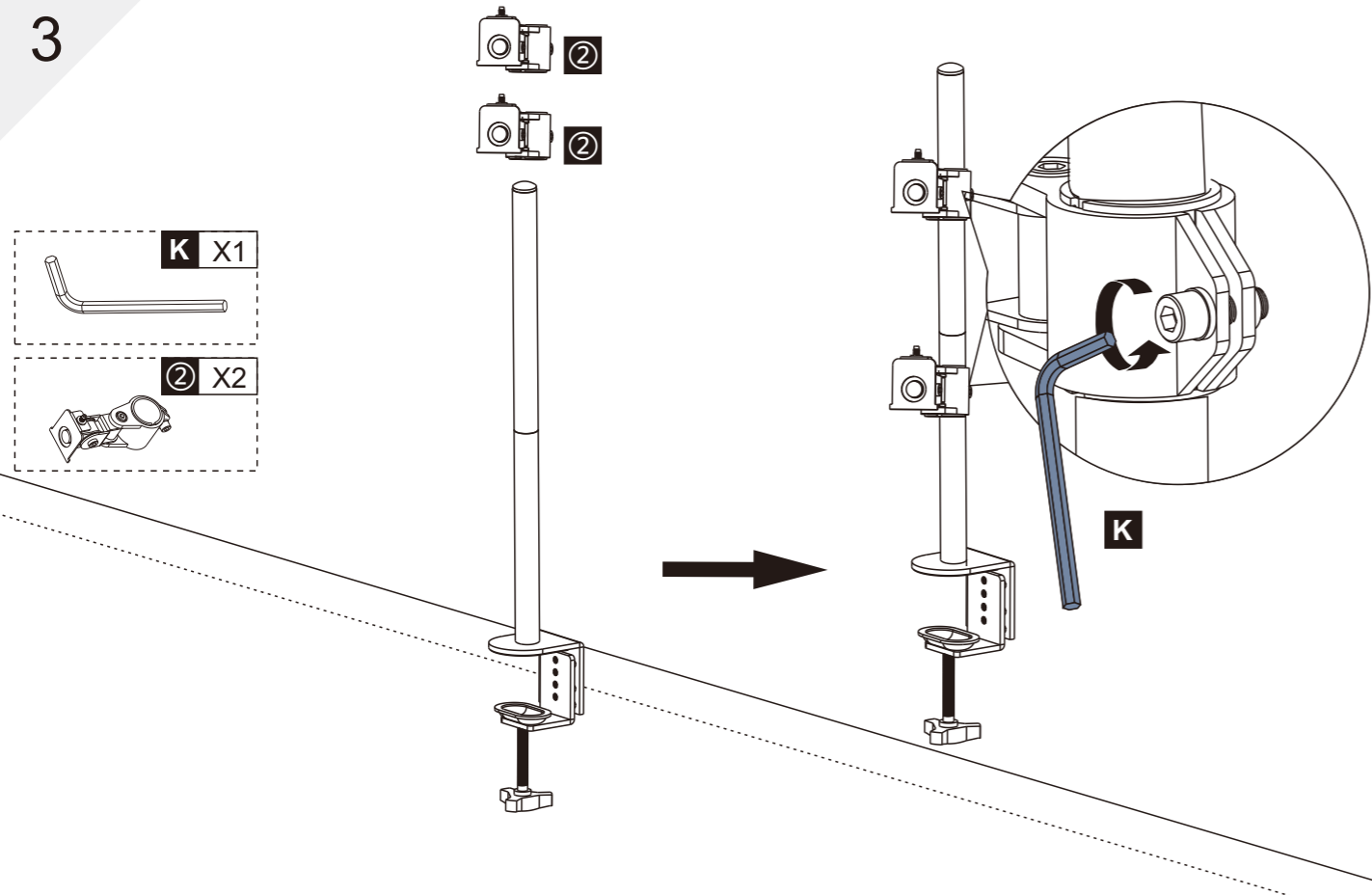
**PART LIST**

	<b>1</b> X1		M6 <b>A</b> X2		<b>H</b> X8
	<b>2</b> X2		M8x12 <b>B</b> X2		<b>I</b> X2
	<b>3</b> X2		M5x16 <b>C</b> X3		<b>K</b> X1
	<b>4</b> X1		M4x30 <b>F</b> X8		<b>L</b> X1
	<b>5</b> X1		M4*12 <b>G</b> X8		<b>M</b> X1
	<b>6</b> X1				

2



3



4

