

www.blackanddecker.eu

BXRA1500E_BXRA2000E_BXRA2300E

- EN
- FR
- DE
- IT
- ES
- PT
- NL
- PL
- EL
- RU
- RO
- BG

EN: This product is only suitable for well insulated spaces or occasional use.

FR: Ce produit ne peut être utilisé que dans des locaux bien isolés ou de manière occasionnelle.

DE: Dieses Produkt ist nur für gut isolierte Räume oder gelegentlichen Gebrauch geeignet.

IT: Questo prodotto è adatto solo per spazi ben isolati o uso occasionale

ES: Producto indicado para ser usado en espacios correctamente aislados. En caso contrario su utilización deberá ser puntual.

PT: Este produto é adequado apenas para espaços bem isolados espaços ou utilização ocasional.

NL: Dit product is alleen geschikt voor goed geïsoleerde ruimtes of incidenteel gebruik.

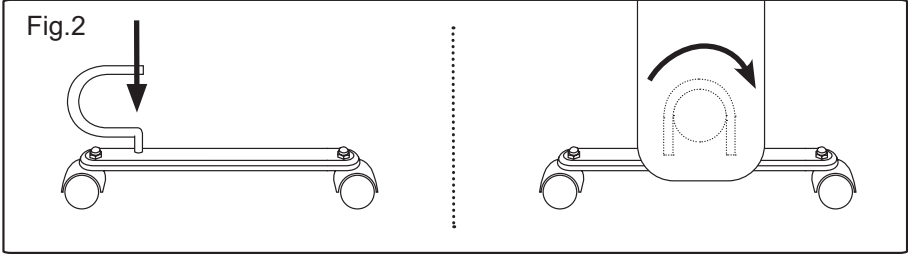
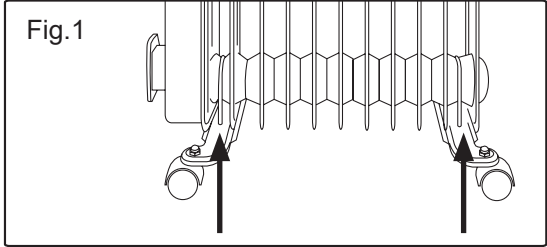
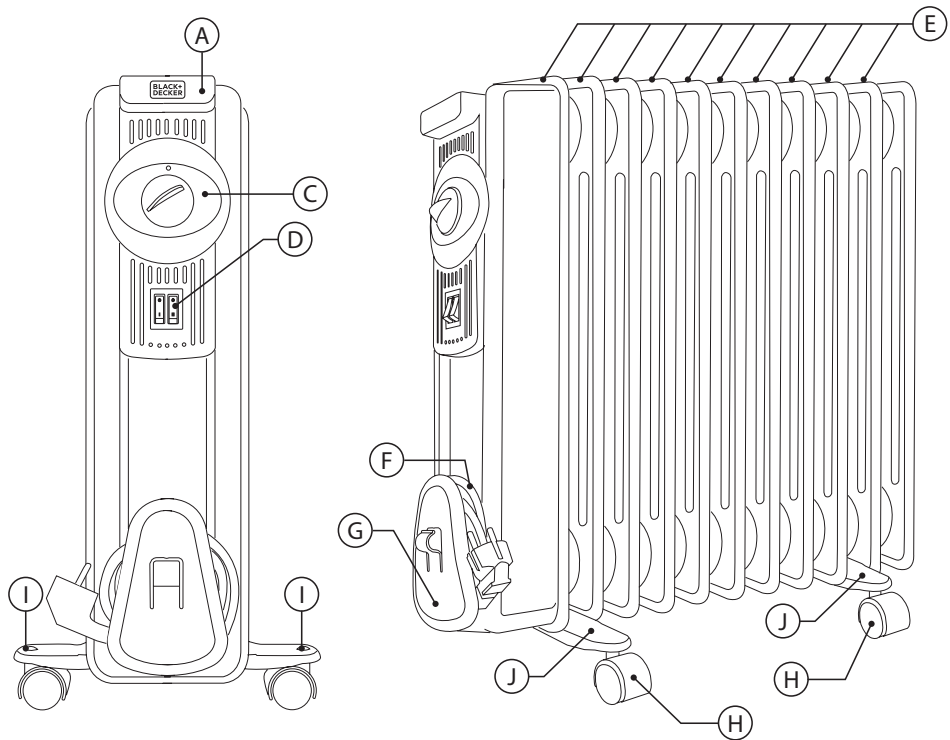
PL: Ten produkt jest przeznaczony tylko do dobrze izolowanych pomieszczeń lub okazjonalnych zastosowań.

EL: Αυτό το προϊόν είναι κατάλληλο μόνο για καλά μονωμένους χώρους ή για περιστασιακή χρήση.

RU: Этот продукт подходит только для хорошо изолированных помещений или случайного использования.

RO: Acest produs este potrivit doar pentru spații bine izolate sau ocazional.

BG: Този продукт е подходящ само за добре изолирани помещения или случайна употреба.



Oil Heater

BXRA1500E

BXRA2000E

BXRA2300E

Dear customer,

Many thanks for choosing to purchase a BLACK+DECKER brand product.

Thanks to its technology, design and operation and the fact that it exceeds the strictest quality standards, a fully satisfactory use and long product life can be assured.

DESCRIPTION

A Handle

C Thermostat knob

D On/Off and heating selector knob

E Radiador fins

F Power cord

G Cable housing

H Wheels

I Wheel fixing


J Bracket: wheel unit fixing

Read these instructions carefully before switching on the appliance and keep them for future reference. Failure to follow and observe these instructions could lead to an accident.

SAFETY ADVICE AND WARNINGS

- ◆ **CAUTION: Some parts of this product can become very hot and cause burns. Particular attention has to be given where children and vulnerable people are present.**
- ◆ The appliance must not be placed below a power socket.
- ◆ Children of less than 3 years should be kept away unless continuously supervised.
- ◆ Children aged from 3 years and less than 8 years shall only switch on/off the appliance provided that it has been placed or installed in its intended normal operating position and they have been given supervision or instruction concerning use of the appliance in a safe way and understand the hazards involved.
- ◆ This appliance can be used by children aged from 8 years and above and persons with reduced physical, sensory or mental capabilities or lack of experience and knowledge if they have been given supervision or instruction concerning use of the appliance in a safe way and understand the hazards involved.
- ◆ Cleaning and user maintenance shall not be made by children unless they are supervised.
- ◆ Children aged from 3 years and less than 8 years shall not plug in, regulate and clean the appliance or perform user maintenance.
- ◆ This appliance is not a toy. Children should be supervised to ensure that they do not play with the appliance.
- ◆ Do not use the appliance near bathtubs, showers or swimming pools.
- ◆ This heater is filled with a precise quantity of special oil. Repairs requiring opening of the oil container are only to be made by the manufacturer or his service agent who

should be contacted if there is an oil leak.

- ◆ When scrapping the heater, follow the regulations concerning the disposal of oil.
- ◆ If the connection to the mains has been damaged, it must be replaced, take the appliance to an authorised technical support service. Do not attempt to disassemble or repair the appliance by yourself in order to avoid a hazard.
- ◆  This symbol means that product can't be covered.
- ◆ **CAUTION:** In order to prevent overheating do not cover the appliance.
- ◆ Ensure that the voltage indicated on the rating label matches the mains voltage before plugging in the appliance.
- ◆ Connect the appliance to a socket with an earth a minimum of 16 amperes.
- ◆ The appliance's plug must fit into the mains socket properly. Do not alter the plug. Do not use plug adaptors.
- ◆ Use the appliance in a well ventilated area.
- ◆ If other gas or fuel appliances can be used at the same time in the room where the appliance is to be used, that room must be well ventilated.
- ◆ Place the appliance on a horizontal, flat, stable surface away from heat sources and contact with water (splashes etc.)
- ◆ Keep the appliance away from flammable material such as textiles, cardboard or paper, etc.
- ◆ Place the appliance a minimum distance of 50cm away from combustible materials, such as curtains, furniture ...
- ◆ Do not place inflammable material near the appliance.
- ◆ Do not use the appliance in association with a programmer, timer or other device that automatically switches it on.
- ◆ Do not use the appliance if the cable or plug is damaged.
- ◆ If any of the appliance casings breaks, immediately disconnect the appliance from the mains to prevent the possibility of an electric shock.

- ◆ Do not use the appliance if it has fallen on the floor, if there are visible signs of damage or if it has a leak.
- ◆ **CAUTION:** Maintain the appliance dry.
- ◆ **CAUTION:** Do not use the appliance near water.
- ◆ Do not use the appliance with damp hands or feet, or when barefooted.
- ◆ Do not force the power cord. Never use the power cord to lift up, carry or unplug the appliance.
- ◆ Do not wrap the power cord around the appliance.
- ◆ Do not clip or crease the power cord.
- ◆ Do not allow the power cord to come into contact with the appliance's hot surfaces.
- ◆ Keep the appliance well away from heat sources, oil, sharp edges or moving parts.
- ◆ Check the state of the power cord. Damaged or tangled cables increase the risk of electric shock.
- ◆ The appliance is not suitable for outdoor use.
- ◆ Supply cord should be regularly examined for signs of damage, and if the cord is damaged, the appliance must not be used.
- ◆ Do not leave the appliance out in the rain or exposed to moisture. If water gets into the appliance, this will increase the risk of electric shock.
- ◆ Do not touch the plug with wet hands.
- ◆ Do not use the appliance in the case of persons insensitive to heat (the appliance has heated surfaces).
- ◆ Do not touch the heated parts of the appliance, as it may cause serious burns.
- ◆ The temperature of the accessible surfaces may be high when the appliance is in use.

Use and care:

- ◆ Fully unroll the appliance's power cable before each use.
- ◆ Do not use the appliance if its feet are not properly fitted.
- ◆ Do not use the appliance if the on/off switch does not work.
- ◆ Do not remove the support feet of the appliance.
- ◆ Use the appliance handle, to catch it or move it.
- ◆ Do not use the appliance if it is tipped up and do not turn it over.
- ◆ Do not turn the appliance over while it is in use or connected to the mains.
- ◆ Disconnect the appliance from the mains when not in use and before undertaking any cleaning task.
- ◆ This appliance is for household use only, not professional, industrial use.
- ◆ Store this appliance out of reach of children and/or persons with physical sensory or mental capabilities or lack of experience and knowledge.

- ◆ Do not store the appliance if it is still hot.
- ◆ Do not store the appliance on areas where the temperature could be lower than 2°C
- ◆ Do not expose the appliance to extreme temperatures.
- ◆ Keep the appliance in a dry, dust-free place, out of direct sunlight.
- ◆ Never leave the appliance unattended when in use and keep out of the reach of children, as this is an electrical appliance that heats oil to high temperatures and may cause serious burns.
- ◆ Do not use the appliance to dry textiles of any kind.
- ◆ CAUTION: User can't sleep when appliance is under use, there is a risk of injuries.
- ◆ Turn the thermostat control to the minimum (MIN) setting. This does not mean that the appliance is switched off permanently.

Service:

- ◆ CAUTION: There is a risk of fire if the appliance's cleaning is not done according to these instructions.
- ◆ Any misuse or failure to follow the instructions for use renders the guarantee and the manufacturer's liability null and void.

Assembling the wheels:

- ◆ To assemble the wheels, place the appliance face down.
- ◆ Position the wheel supports in the first and last elements of the radiator. (Fig. 1).
- ◆ -Fix the wheel supports using the "U" shaped clamp and the wing nuts provided.(Fig 2).
- ◆ Stand the appliance up again so as to check that the wheels work properly.

INSTRUCTIONS FOR USE

Before use:

- ◆ Remove the appliance's protective film.
- ◆ Make sure that all the product's packaging has been removed.
- ◆ To eliminate the smell given off by the appliance when used for the first time, it is recommended to have it on at full power for 2 hours in a well-ventilated room.

Use:

- ◆ Unroll the cable completely before plugging it in.
- ◆ Connect the appliance to the mains.
- ◆ Turn the appliance on, by using the on/off and power selection control.

- ◆ The power light comes on.
- ◆ Select the desired power.
- ◆ Turn the thermostat control to the desired temperature position.
- ◆ During the appliance's use the power light will come on and off automatically, indicating the heating elements are working, and therefore maintaining the desired temperature.

Once you have finished using the appliance:

- ◆ Select the minimum position (MIN) using the thermostat control.
- ◆ Turn the appliance off, using the on/off and power selection control.
- ◆ Unplug the appliance from the mains.
- ◆ Clean the appliance.

Carry handle/s:

- ◆ This appliance has a handle on the side of the body, which facilitates comfortable transport .

CLEANING

- ◆ Disconnect the appliance from the mains and allow it to cool before undertaking any cleaning task.
- ◆ Clean the equipment with a damp cloth with a few drops of washing-up liquid and then dry.
- ◆ Do not use solvents, or products with an acid or base pH such as bleach, or abrasive products, for cleaning the appliance.
- ◆ Do not let water or any other liquid get into the air vents to avoid damage to the inner parts of the appliance.
- ◆ Never submerge the appliance in water or any other liquid or place it under running water.
- ◆ If the appliance is not in good condition of cleanliness, its surface may degrade and inexorably affect the duration of the appliance's useful life and could become unsafe to use.
- ◆ Remark: When the appliance is used after long periods in storage or a small amount of smoke may be produced. This is not important and is due to the heater burning dust deposits which have accumulated on the surface.

ANOMALIES AND REPAIR

- ◆ Take the appliance to an authorised technical support service if product is damaged or other problems arise.

Do not attempt to disassemble or repair the appliance yourself as this may be dangerous.

- ◆ For EU product versions and/or in case that it is requested in your country:

Ecology and recyclability of the product

- ◆ The materials of which the packaging of this appliance consists are included in a collection, classification and recycling system. Should you wish to dispose of them, use the appropriate public recycling bins for each type of material.
- ◆ The product does not contain concentrations of substances that could be considered harmful to the environment.



This symbol means that in case you wish to dispose of the product once its working life has ended, take it to an authorised waste agent for the selective collection of Waste from Electric and Electronic Equipment (WEEE).

WARRANTY AND TECHNICAL ASSISTANCE

This product enjoys the recognition and protection of the legal guarantee in accordance with current legislation.

To enforce your rights or interests you must go to any of our official technical assistance services. You can find the closest one by accessing the following web link: <http://www.2helpu.com/> You can also request related information, by contacting us (see the last page of the manual). You can download this instruction manual and its updates at <http://www.2helpu.com/>

This appliance complies with Directive 2014/35/EU on Low Voltage, Directive 2014/30/EU on Electromagnetic Compatibility, Directive 2011/65/EU on the restrictions of the use of certain hazardous substances in electrical and electronic equipment and Directive 2009/125/EC on the ecodesign requirements for energy-related products.

Model:	BXRA1500E BXRA2000E BXRA2300E
Heat output	
Nominal heat output P_{nom}	BXRA1500E - 1,5 kW BXRA2000E - 2,0 kW BXRA2300E - 2,3 kW
Minimum heat output (indicative) P_{min}	BXRA1500E - 0,60 kW BXRA2000E - 0,88 kW BXRA2300E - 1,00 kW
Maximum continuous heat output P_{max}	BXRA1500E - 1,5 kW BXRA2000E - 2,0 kW BXRA2300E - 2,3 kW
Auxiliary electricity consumption	
At nominal heat output el_{max}	N/A
At minimum heat output el_{min}	N/A
In standby mode el_{SB}	N/A
Type of heat input, for electric storage local space heaters only	
Manual heat charge control, with integrated thermostat	N/A
Manual heat charge control with room and/or outdoor temperature feedback	N/A
Electronic heat charge control with room and/or outdoor temperature feedback	N/A
Fan assisted heat output	N/A
Type of heat output/room temperature control	
Single stage heat output and no room temperature control	No
Two or more manual stages, no room temperature control	No
With mechanic thermostat room temperature control	Yes
With electronic room temperature control	No
Electronic room temperature control plus day timer	No
Electronic room temperature control plus week timer	No
Other control options	
Room temperature control, with presence detection	No
Room temperature control, with open window detection	No
With distance control option	No
With adaptive start control	No
With working time limitation	No
With black bulb sensor	No
Contact details Engineering and Technology for Life, S.L., Avda. Barcelona, s/n, Oliana, 25790, Spain	

ENGINEERING AND TECHNOLOGY FOR LIFE, S.L.

Avda. Barcelona s/n
Oliana, 25790 , Spain